



QUEEN CITY PLASTICS, INC.

PVC CONDUIT & FITTINGS

Charlotte, NC 28241

Fort Mill, SC 29715

Schedule **80** 36 Radius (Plain End) – Fabricated

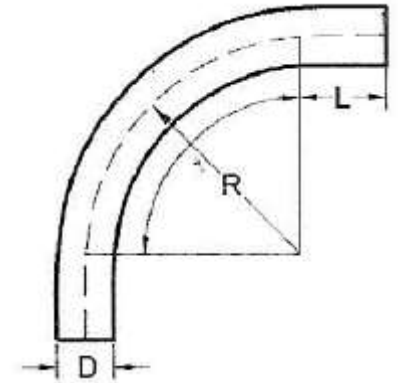
90° Elbows – Plain End

Part Number	Trade Size	Unit Qty.	Nominal DIA (D)	Min. Length (L)	Radius (R)	Radius Length
3441017	1"	U.C.R.	1.315	1-7/8"	36	66"
3441317	1-1/4"	U.C.R.	1.660	2"	36	67"
3441517	1-1/2"	U.C.R.	1.900	2"	36	68"
3442017	2"	100**	2.375	2"	36	69"
3442517	2-1/2"	100**	2.875	3"	36	69"
3443017	3"	48**	3.500	3-1/8"	36	70"
3443517	3-1/2"	48**	4.000	3-1/4"	36	72"
3444017	4"	42**	4.500	3-3/8"	36	72"
3445017	5"	30**	5.565	3-5/8"	36	78"
3446017	6"	30**	6.625	3-3/4"	36	80"

* Per G.L.

** Per Pallet

U.C.R.- Upon Customer Request



Conforms to UL651 and NEMA TC3
 Material is Rigid PVC
 Bend Tolerance is +/-2°

