



QUEEN CITY PLASTICS, INC.

PVC CONDUIT & FITTINGS

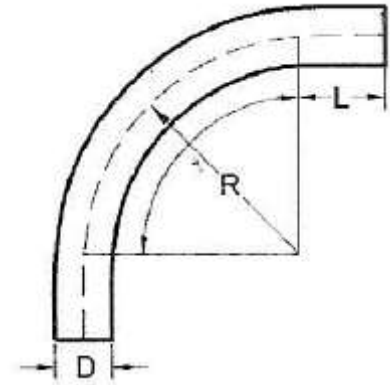
Charlotte, NC 28241

Fort Mill, SC 29715

Schedule **80** 30 Radius (Plain End) – Fabricated

90° Elbows – Plain End

Part Number	Trade Size	Unit Qty.	Nominal DIA (D)	Min. Length (L)	Radius (R)	Radius Length
3431017	1"	U.C.R.	1.315	1-7/8"	30	56"
3431317	1-1/4"	U.C.R.	1.660	2"	30	57"
3431517	1-1/2"	U.C.R.	1.900	2"	30	57"
3432017	2"	U.C.R.	2.375	2"	30	58"
3432517	2-1/2"	U.C.R.	2.875	3"	30	58"
3433017	3"	U.C.R.	3.500	3-1/8"	30	60"
3433517	3-1/2"	U.C.R.	4.000	3-1/4"	30	62"
3434017	4"	U.C.R.	4.500	3-3/8"	30	62"
3435017	5"	U.C.R.	5.565	3-5/8"	30	66"
3436017	6"	U.C.R.	6.625	3-3/4"	30	68"



* *Per G.L.*

** *Per Pallet*

U.C.R.- Upon Customer Request

Conforms to UL651 and NEMA TC3

Material is Rigid PVC

Bend Tolerance is +/-2°

