



QUEEN CITY PLASTICS, INC.

PVC CONDUIT & FITTINGS

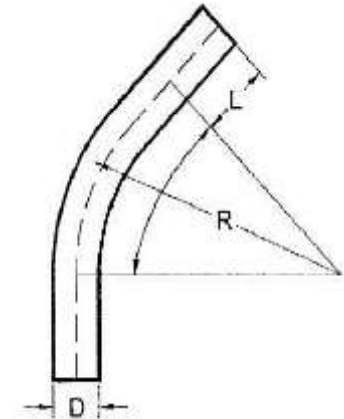
Charlotte, NC 28241

Fort Mill, SC 29715

Schedule **80** 24 Radius (Plain End) – Fabricated

45° Elbows – Plain End

Part Number	Trade Size	Unit Qty.	Nominal DIA (D)	Min. Length (L)	Radius (R)	Radius Length
3520517	1/2"	300	0.840	1-1/2"	24	30"
3520817	3/4"	200	1.050	1-1/2"	24	30"
3521017	1"	200	1.315	1-7/8"	24	30"
3521317	1-1/4"	200	1.660	2"	24	30"
3521517	1-1/2"	200	1.900	2"	24	31"
3522017	2"	100*	2.375	2"	24	31"
3522517	2-1/2"	100*	2.875	3"	24	32"
3523017	3"	100*	3.500	3-1/8"	24	32"
3523517	3-1/2"	100*	4.000	3-1/4"	24	33"
3524017	4"	50*	4.500	3-3/8"	24	33"
5"	USE STANDARD RADIUS					
6"	USE STANDARD RADIUS					



* Per G.L.

** Per Pallet

Conforms to UL651 and NEMA TC3
 Material is Rigid PVC
 Bend Tolerance is +/-2°

