



QUEEN CITY PLASTICS, INC.

PVC CONDUIT & FITTINGS

Charlotte, NC 28241
29715

Fort Mill, SC

Created by: Alan Romb, Quality Control Manager

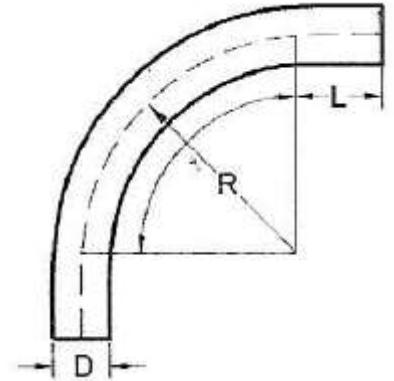
Schedule 40 Standard Radius (Plain End) – Fabricated

90° Elbows – Plain End

Part Number	Trade Size	Unit Qty.	Nominal DIA (D)	Min. Length (L)	Standard Radius (R)	Radius Length
2400517	1/2"	40	0.840	1-1/2"	4"	12"
2400817	3/4"	40	1.050	1-1/2"	4-1/2"	13"
2401017	1"	50	1.315	1-7/8"	5-3/4"	15"
2401317	1-1/4"	25	1.660	2"	7-1/4"	19"
2401517	1-1/2"	20	1.900	2"	8-1/4"	20"
2402017	2"	15	2.375	2"	9-1/2"	23"
2402517	2-1/2"	200*	2.875	3"	10-1/2"	28"
2403017	3"	100*	3.500	3-1/8"	13"	32"
2403517	3-1/2"	100*	4.000	3-1/4"	15"	40"
2404017	4"	50*	4.500	3-3/8"	16"	41"
2405017	5"	30**	5.565	3-5/8"	24"	58"
2406017	6"	30**	6.625	3-3/4"	30"	68"

* *Per G.L.*

** *Per Pallet*



Conforms to UL651 and NEMA TC3
Material is Rigid PVC
Bend Tolerance is +/-2°

