



# QUEEN CITY PLASTICS, INC.

## PVC CONDUIT & FITTINGS

Charlotte, NC 28241

Fort Mill, SC 29715

### Schedule 40 60" Radius (Plain End) – Fabricated

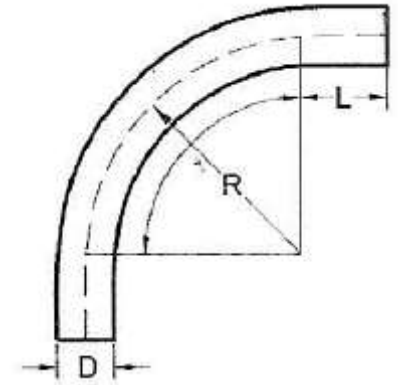
#### 90° Elbows – Plain End

Part Number	Trade Size	Unit Qty.	Nominal DIA (D)	Min. Length (L)	Radius (R)	Radius Length
2961017	1"	U.C.R.	1.315	1-7/8"	60	98"
2961317	1-1/4"	U.C.R.	1.660	2"	60	98-1/4"
2961517	1-1/2"	U.C.R.	1.900	2"	60	98-1/4"
2962017	2"	U.C.R.	2.375	2"	60	98-1/4"
2962517	2-1/2"	U.C.R.	2.875	3"	60	100-1/4"
2963017	3"	U.C.R.	3.500	3-1/8"	60	100-1/2"
2963517	3-1/2"	U.C.R.	4.000	3-1/4"	60	100-3/4"
2964017	4"	U.C.R.	4.500	3-3/8"	60	101"
2965017	5"	U.C.R.	5.565	3-5/8"	60	101-1/2"
2966017	6"	U.C.R.	6.625	3-3/4"	60	101-3/4"

\* Per G.L.

\*\* Per Pallet

U.C.R.- Upon Customer Request



Conforms to UL651 and NEMA TC3  
 Material is Rigid PVC  
 Bend Tolerance is +/-2°

