



QUEEN CITY PLASTICS, INC.

PVC CONDUIT & FITTINGS

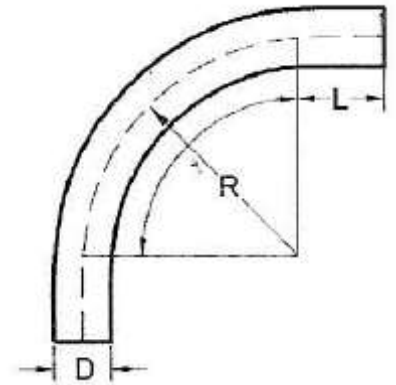
Charlotte, NC 28241

Fort Mill, SC 29715

Schedule 40 24 Radius (Plain End) – Fabricated

90° Elbows – Plain End

Part Number	Trade Size	Unit Qty.	Nominal DIA (D)	Min. Length (L)	Radius (R)	Radius Length
2420517	1/2"	200	0.840	1-1/2"	24	48"
2420817	3/4"	200	1.050	1-1/2"	24	48"
2421017	1"	200	1.315	1-7/8"	24	48"
2421317	1-1/4"	200	1.660	2"	24	48"
2421517	1-1/2"	200	1.900	2"	24	48"
2422017	2"	100**	2.375	2"	24	49"
2422517	2-1/2"	100**	2.875	3"	24	50"
2423017	3"	48**	3.500	3-1/8"	24	51"
2423517	3-1/2"	48**	4.000	3-1/4"	24	52"
2424017	4"	42**	4.500	3-3/8"	24	53"
5" USE STANDARD RADIUS						
6"						



* Per G.L.

** Per Pallet

Conforms to UL651 and NEMA TC3
 Material is Rigid PVC
 Bend Tolerance is +/-2°

