



QUEEN CITY PLASTICS, INC.

PVC CONDUIT & FITTINGS

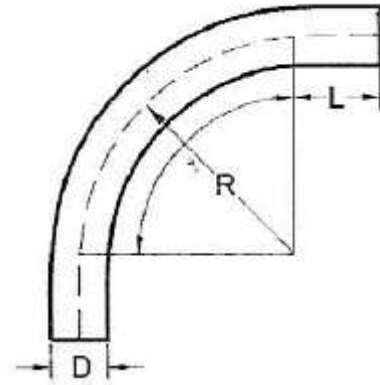
Charlotte, NC 28241

Fort Mill, SC 29715

Schedule 40 18 Radius (Plain End) – Fabricated

90° Elbows – Plain End

Part Number	Trade Size	Unit Qty.	Nominal DIA (D)	Min. Length (L)	Radius (R)	Radius Length
2410517	1/2"	200	0.840	1-1/2"	18	36"
2410817	3/4"	200	1.050	1-1/2"	18	36"
2411017	1"	200	1.315	1-7/8"	18	36"
2411317	1-1/4"	200	1.660	2"	18	37"
2411517	1-1/2"	200	1.900	2"	18	37"
2412017	2"	100	2.375	2"	18	38"
2412517	2-1/2"	100	2.875	3"	18	39"
2413017	3"	48	3.500	3-1/8"	18	40"
3-1/2" USE STANDARD RADIUS 4" 5" 6"						



* Per G.L.

** Per Pallet

Conforms to UL651 and NEMA TC3
 Material is Rigid PVC
 Bend Tolerance is +/-2°

